

FRANK® MFS 2x3

Our self-service multifunction station **FRANK® MFS 2x3** impresses with its simple operation, impressive performance and highest reliability for every application.

2 vacuum cleaner with each 3 programs ensure effective use of the suction centre.

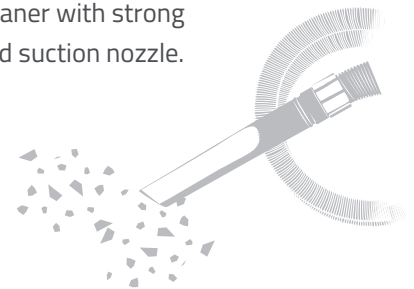
1 compressed air



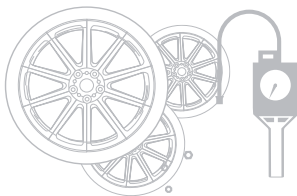
Easy blowing out of hard-to-reach areas including hose retrieval function.

2 to vacuum

Powerful vacuum cleaner with strong suction and optimized suction nozzle.



3 Tire filling



Easy tyre filling with user-friendly standard filling knife and hose retrieval.

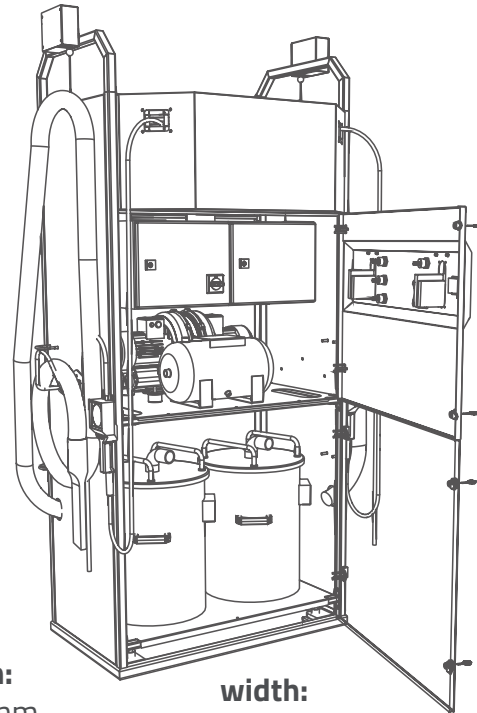
dimensions and weight

weight:
330 kg

height:
2280 mm

depth:
973 mm

width:
1087 mm



technical data

FRANK® MFS 2x3

artical number	1303160
vacuum cleaner	
throughput	145 m ³ /h
pressure/vacuum	190/150 mbar
engine	1,1 kW - 200-240 V - 7,3 A - 50 Hz
piston compressor (compressed air, Tire filling)	
dispensing power	168 l/min
boiler contents	15 l
pressure (energy/max.)	6/8 bar
engine	0,55 kW - 230 V - 50 Hz