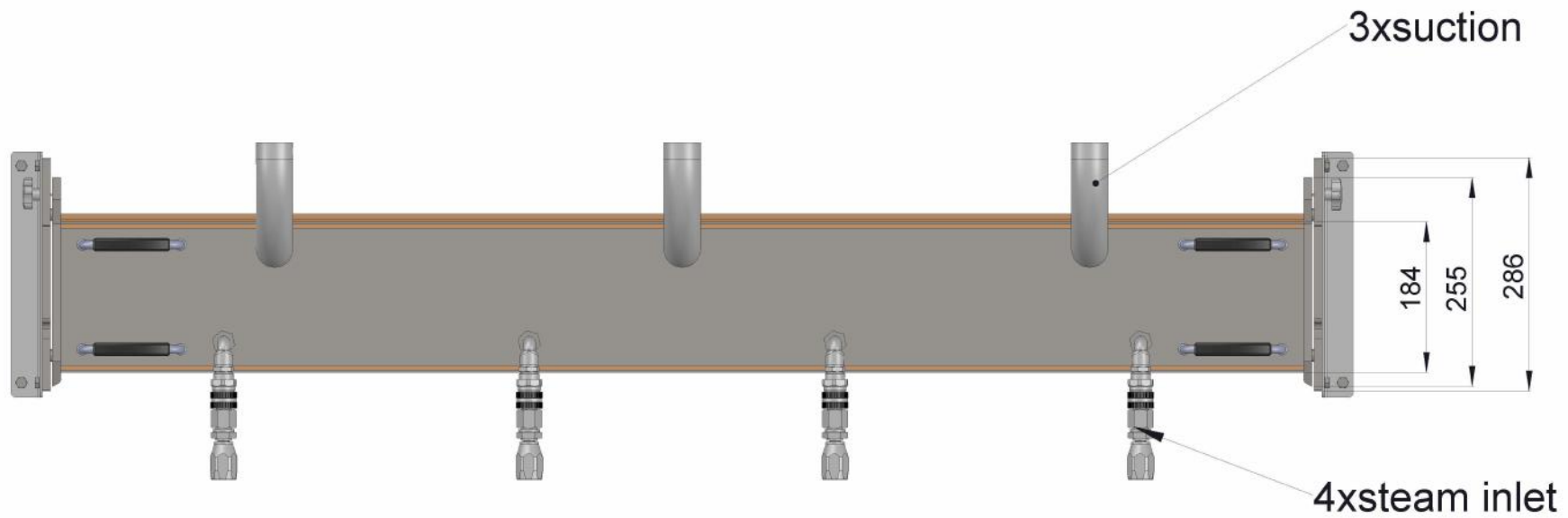
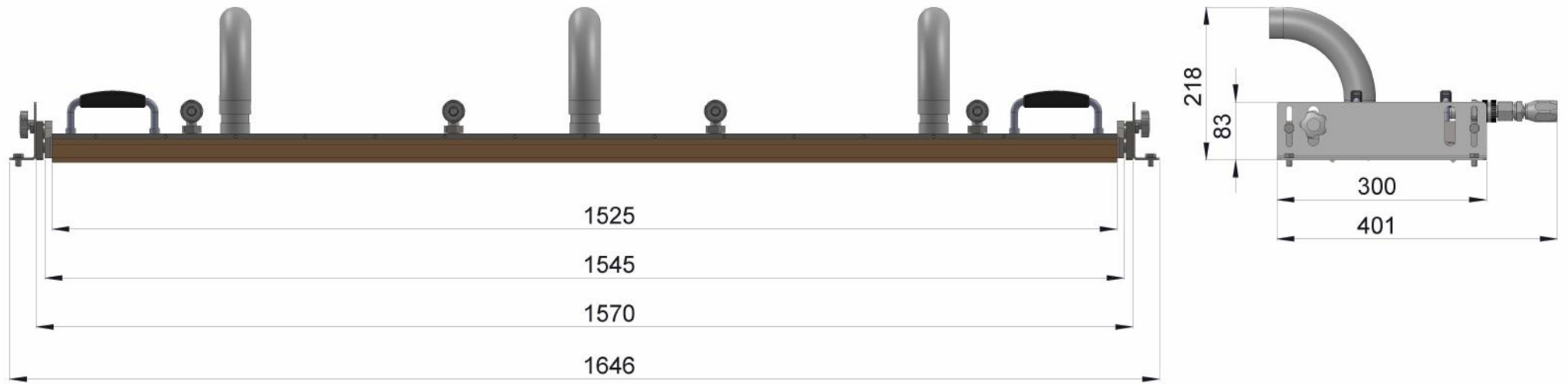


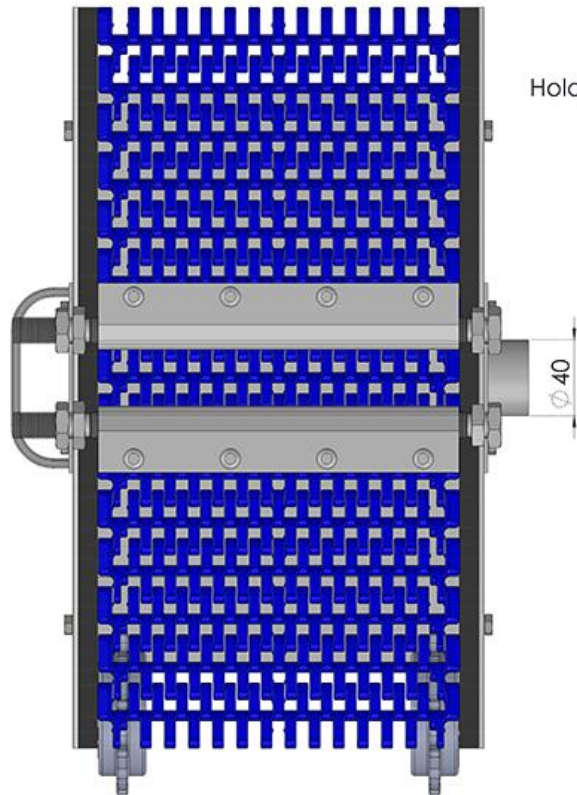
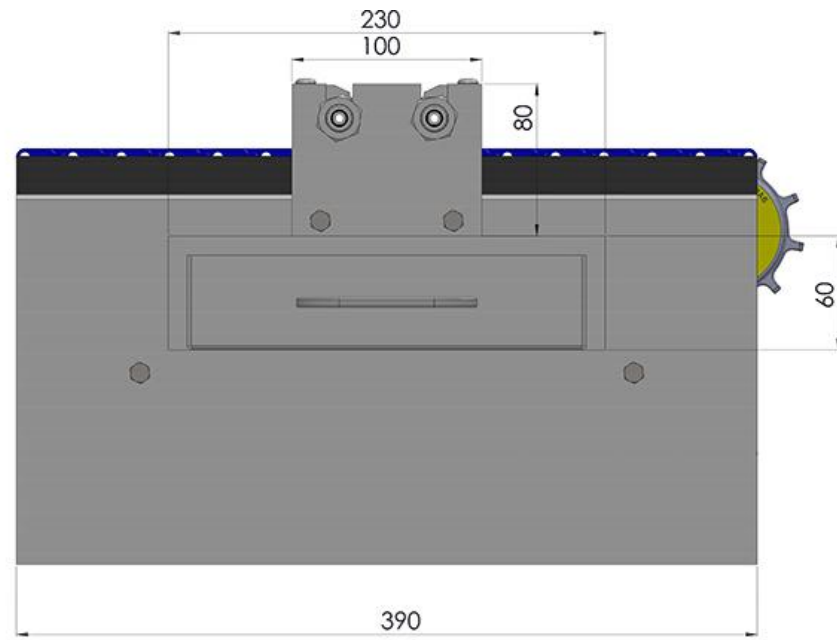
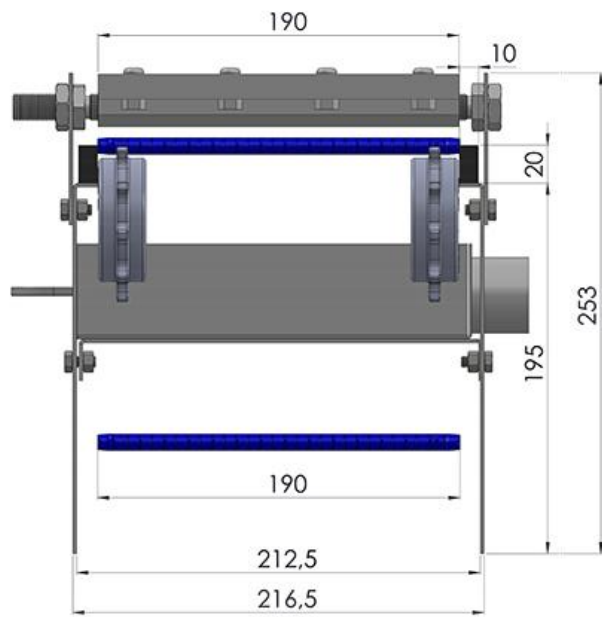
BSU 1600mm.

Suction

iS36



| | | | |
|---|---|---|---|
| | Projekt McVitie's BSU Projekt McVitie's BSU Projekt McVitie's BSU | Projekt McVitie's BSU Projekt McVitie's BSU Projekt McVitie's BSU | Projekt McVitie's BSU Projekt McVitie's BSU Projekt McVitie's BSU |
| | Projekt McVitie's BSU Projekt McVitie's BSU Projekt McVitie's BSU | Projekt McVitie's BSU Projekt McVitie's BSU Projekt McVitie's BSU | Projekt McVitie's BSU Projekt McVitie's BSU Projekt McVitie's BSU |
| Projekt McVitie's BSU Projekt McVitie's BSU Projekt McVitie's BSU | Projekt McVitie's BSU Projekt McVitie's BSU Projekt McVitie's BSU | Projekt McVitie's BSU Projekt McVitie's BSU Projekt McVitie's BSU | Projekt McVitie's BSU Projekt McVitie's BSU Projekt McVitie's BSU |



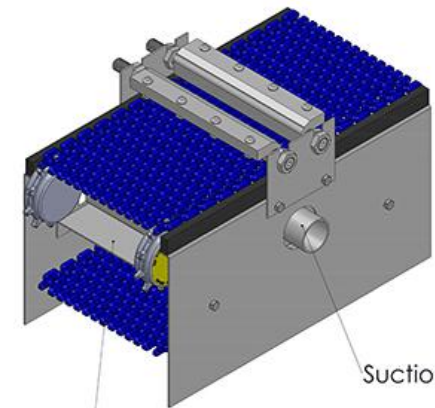
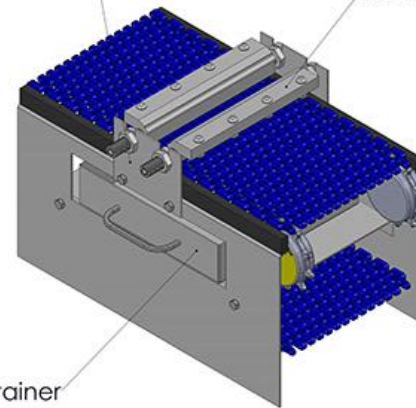
Holding plate for steam outlet unit

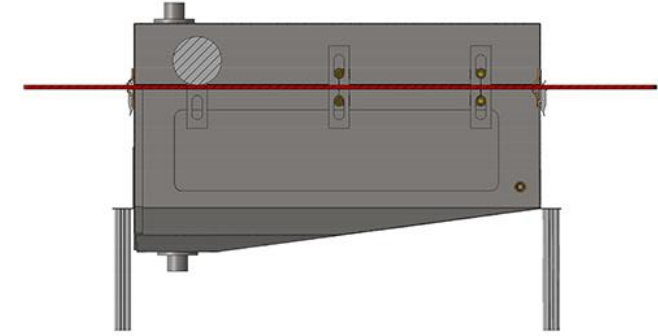
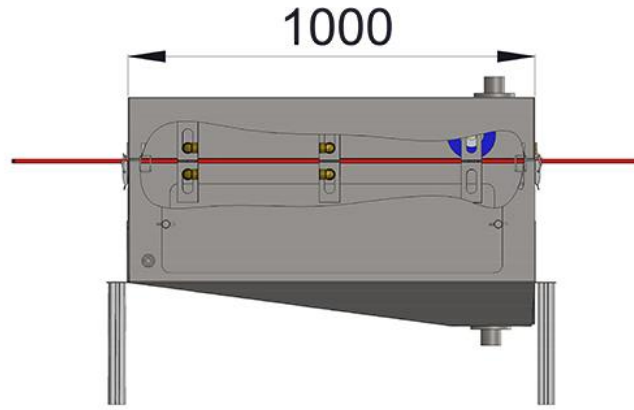
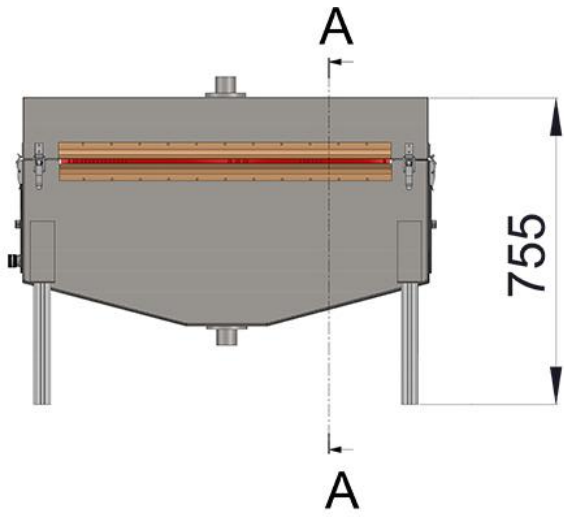
Steam outlet unit

Collecting container

Holding plate for collecting container

Suction





SCHNITT A-A

